

CUSTOM

Wood Blinds

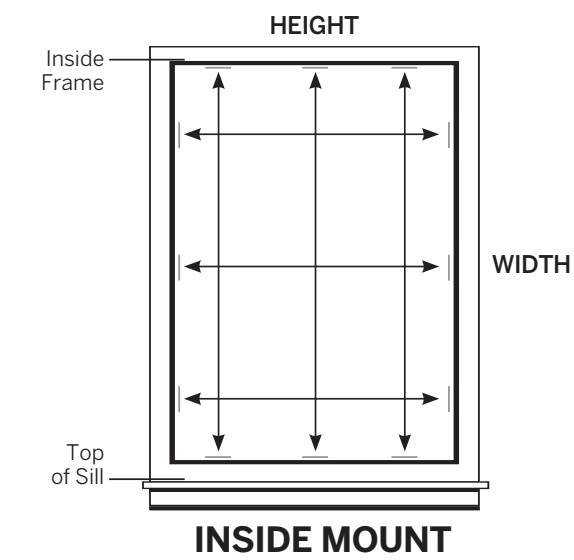
REAL WOOD | FAUX WOOD

TECHNICAL GUIDE

LEVOLOR®

20-0048-147
Effective September 2022

How To Measure Quickly and Accurately



INSIDE MOUNT (IM) INSTALLATION — For a beautiful framed look

1 MEASURE WIDTH

Measure to the nearest 1/8 in. between inside surfaces of window frame; at the top, middle, and bottom.

Record the narrowest width of the three.

2 MEASURE HEIGHT

Measure to the nearest 1/8 in. from inside surface at top of window to top of sill; at the left, middle, and right.

Record the tallest height of the three.

3 MEASURE DEPTH

Measure exact depth of window casing making note of any obstacles, i.e. handles, tracks, or cranks that could interfere with the blind function.

Use the shortest depth.

HELPFUL HINTS

Always use a metal tape measure as cloth may stretch

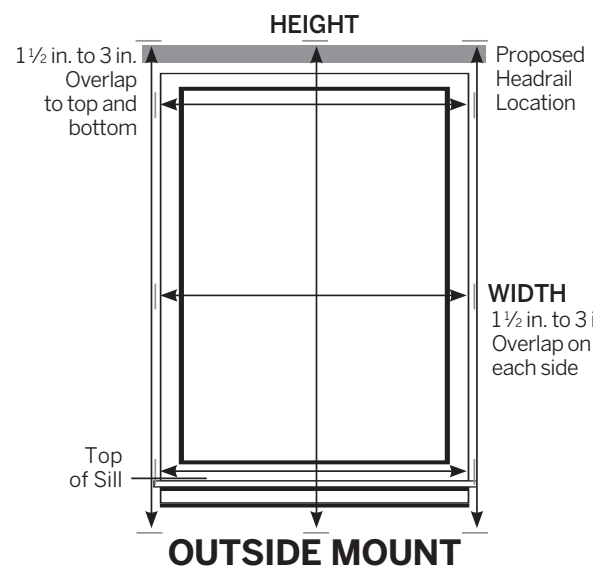
Measure your window – not your existing blind or shade

Measure each window separately even if they appear to be identical

Check depth to ensure blind will clear any obstacles and can accommodate headrail if flush mount is desired

If you prefer blind not to touch sill, deduct 1/4"

If there is no sill, measure height to point where blind is to reach



OUTSIDE MOUNT (OM) INSTALLATION — For increased light control and privacy

1 MEASURE WIDTH

Measure to the nearest 1/8 in. between outermost points where blind is to be placed. Measurement should overlap each side of window frame by at least 1 1/2 in.

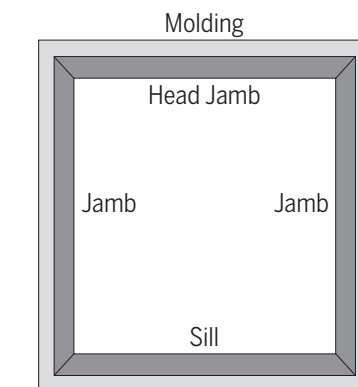
2 MEASURE HEIGHT

Measure to the nearest 1/8 in. from where top of blind will be located to top of sill, or measure to point of blind reach if no sill.

NOTE: Take all measurements to the nearest 1/8 in. **DO NOT** take any deductions. The factory will make the necessary adjustments to help ensure your window covering operates smoothly.

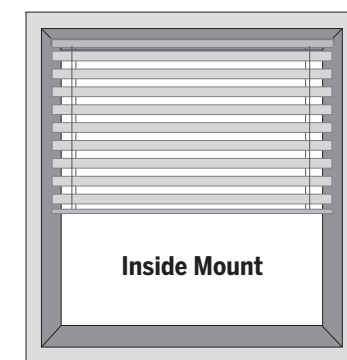
Visit www.levolor.com/how-to-measure for more measuring information

Window and Measuring Terminology



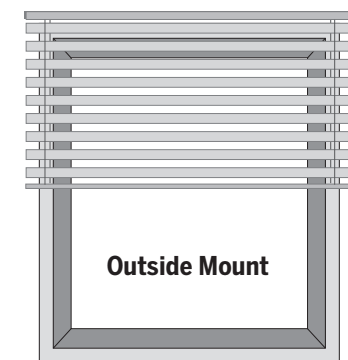
WINDOW COMPONENTS TERMINOLOGY

- Collectively, the sill and jambs are called the "window casement" or "frame."



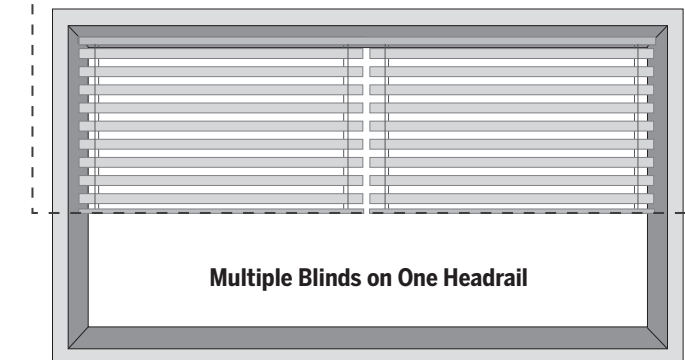
INSIDE MOUNT

- Blind fits within window opening.
- Great for windows with beautiful trim.



OUTSIDE MOUNT

- Blind mounts outside window opening.
- Increased light control and privacy.



MULTIPLE BLINDS ON ONE HEADRAIL

- Provides the clean appearance of a single blind with the ability to operate each blind independently.
- Can be mounted inside or outside.
- Can be 2-on-1 or 3-on-1, depending on width of window. 2-on-1 is shown in the image above.

For additional product information visit LEVOLOR.com/woodblinds

How to Measure Two Blinds on One Headrail

INSIDE MOUNT (IM) INSTALLATION — For a beautiful framed look

1 MEASURE WIDTH

Total Blind Width — Measure to the nearest 1/8 in. between inside surfaces of window frame; at the top, middle, and bottom. **Record the narrowest width of the three.**

Left Blind Width — Measure the width that you want the left blind to cover. **Order this blind first when placing your order.**

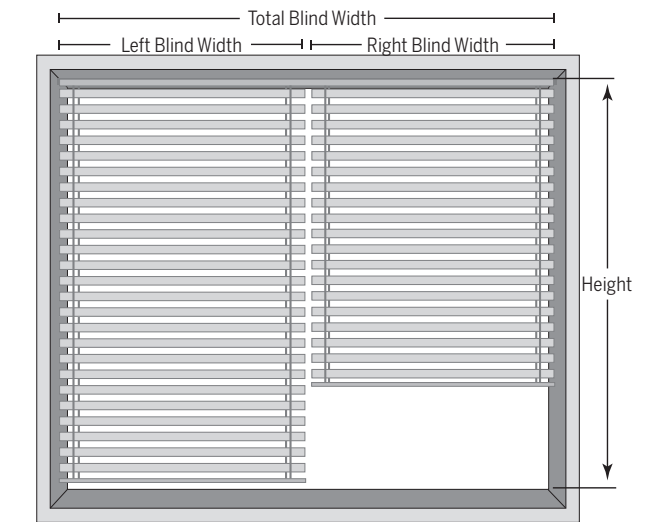
Right Blind Width — Measure the width that you want the right blind to cover.

2 MEASURE HEIGHT

Overall Blind Height — Measure to the nearest 1/8 in. from inside surface at top of window to top of sill; at the left, middle and right. **Record the tallest height of the three.**

3 MEASURE DEPTH

Measure exact depth of window casing making note of any obstacles, i.e. handles, tracks, or cranks that could interfere with the blind function. **Use the shortest depth.**



OUTSIDE MOUNT (OM) INSTALLATION — For increased light control and privacy

1 MEASURE WIDTH

Overall Blind Width — Measure to the nearest 1/8 in. between outermost points where blind is to be placed. **Add an additional 3 in. to 6 in. to total width for maximum privacy.**

Left Blind Width — Measure the width that you want the left blind to cover. **Order this blind first when placing your order.**

Right Blind Width — Measure the width that you want the right blind to cover.

MEASURE HEIGHT

2 Overall Blind Height — Measure to the nearest 1/8 in. from where top of blind will be located to top of sill, or measure to point of blind reach if no sill.

How to Measure Three Blinds on One Headrail

INSIDE MOUNT (IM) INSTALLATION — For a beautiful framed look

1 MEASURE WIDTH

Total Blind Width — Measure to the nearest 1/8 in. between inside surfaces of window frame; at the top, middle, and bottom. **Record the narrowest width of the three.**

Left Blind Width — Measure the width that you want the left blind to cover. **Order this blind first when placing your order.**

Middle Blind Width — Measure the width that you want the middle blind to cover.

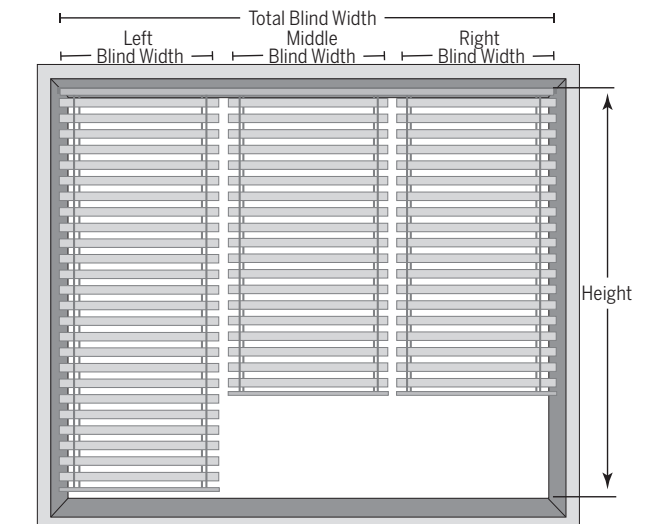
Right Blind Width — Measure the width that you want the right blind to cover.

2 MEASURE HEIGHT

Overall Blind Height — Measure to the nearest 1/8 in. from inside surface at top of window to top of sill; at the left, middle, and right. **Record the tallest height of the three.**

3 MEASURE DEPTH

Measure exact depth of window casing making note of any obstacles, i.e. handles, tracks, or cranks that could interfere with the blind function. **Use the shortest depth.**



OUTSIDE MOUNT (OM) INSTALLATION — For increased light control and privacy

1 MEASURE WIDTH

Overall Blind Width — Measure to the nearest 1/8 in. between outermost points where blind is to be placed. **Add an additional 3 in. to 6 in. to total width for maximum privacy.**

Left Blind Width — Measure the width that you want the left blind to cover. **Order this blind first when placing your order.**

Middle Blind Width — Measure the width that you want the middle blind to cover.

Right Blind Width — Measure the width that you want the right blind to cover.

2 MEASURE HEIGHT

Overall Blind Height — Measure to the nearest 1/8 in. from where top of blind will be located to top of sill, or measure to point of blind reach if no sill.

For Helpful Notes on mounting Multiple Blinds on One Headrail see page 10.

Product Specifications

Use technical information listed below to assist in product selection.

Product Performance Comparison			
Category	Resistance to Slat Warp	Resistance to UV Fading	Lift Weight* (Approx. 36" x 60")
Real Wood	Better	Best	Best (5 lbs)
Faux Wood	Best	Better	Better (8.5 lbs)

* Weight of slats and bottom rail only. This weight does not include valance, headrail, or componentry weight as these are stationary when blind is raised/lowered.

Number of Cords Comparison:

Levolor Real Wood	Levolor Faux Wood	Other Faux Wood
2.6 avg ladder cords	3.7 avg ladder cords	4.5 avg ladder cords

LEVOLOR Custom Faux Wood uses nearly 1 less ladder per blind than the competition

Benefits of Fewer Cords:

- Cleaner look that allows the beauty of the slat finishes to be the spotlight
- Less obstructed view of the outdoors
- Improved safety



Stacking Chart – Height Includes Headrail												
Blind Height	24"	36"	42"	48"	54"	60"	66"	72"	84"	96"	108"	120"
1" Slats	4 3/4"	6 1/4"	7 1/4"	8"	8 3/4"	9 1/2"	10 1/4"	11"	12 3/4"	14 1/2"	16"	16"
2" Slats	3 3/4"	4 1/2"	5"	5 1/2"	5 3/4"	6 1/4"	6 1/2"	6 3/4"	7 1/2"	8 1/4"	9"	10"
2 1/2" Slats	3 1/2"	4"	4 1/2"	4 3/4"	5"	5 1/4"	5 1/2"	6"	6 1/2"	7"	7 3/4"	8 1/4"

Note: For Cordless blinds, add 3/8" to the stack height.

Ladder Spacing and Cord Count Charts						
Blind Width — Real Wood				Ladder and Cord Counts		
Inside Mount Minimum	Inside Mount Maximum	Outside Mount Minimum	Outside Mount Maximum	Number of Ladders	Number of Standard Cords on Corded Blind	Number of Privacy Cords on Corded Blind
6 1/2"	36 1/2"	6"	36"	2	2	4
36 5/8"	54 1/2"	36 1/8"	54"	3	2	4
54 5/8"	60 1/2"	54 1/8"	60"	3	3	6
60 5/8"	84 1/2"	60 1/8"	84"	4	4	8
84 5/8"	96 1/2"	84 1/8"	96"	5	3	6

Blind Width — Faux Wood				Ladder and Cord Counts		
Inside Mount Minimum	Inside Mount Maximum	Outside Mount Minimum	Outside Mount Maximum	Number of Ladders	Number of Standard Cords on Corded Blind	Number of Privacy Cords on Corded Blind
7 3/4"	22"	7 1/4"	21 1/2"	2	2	4
22 1/8"	36 1/2"	21 3/8"	36"	3	2	4
36 3/4"	51"	36 1/4"	50 1/2"	4	4	8
51 1/8"	65 1/2"	50 3/8"	65"	5	3	6
65 3/8"	80"	65"	79 1/2"	6	4	8
80 1/4"	94 1/2"	79 3/8"	94"	7	4	8
94 3/8"	96 1/2"	94 1/8"	96"	8	4	8

*Privacy not available on 1" Real Wood

Light Control Performance Comparison		
Route, Operating System	Prior Light Blocking Performance	Improved Light Blocking Performance
Privacy, Corded Lift	3	5
Privacy, Cordless Lift	2	3
Standard Route, Corded Lift	3	5
Standard Route, Cordless Lift	1	3

Index (Percent Light Blockage): 1 = < 70%, 2 = 70-80%, 3 = 80-90%, 4 = 90-96%, 5 = 96%+
Blinds will not block out 100% of light or achieve complete darkness. Small percentages of light may still pass through slat gaps and/or route holes.

Critical Dimensions

To ensure your window covering selection is available and will fit properly, refer to critical dimension information below.

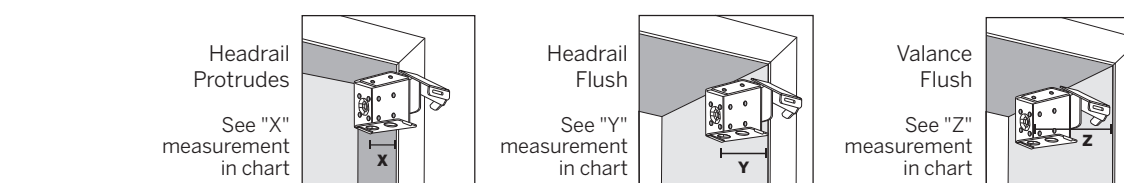
Standard Factory Adjustments from Ordered Width		
DO NOT make any deductions to your measurements		
	Inside Mount	Outside Mount
Headrail	-1/2"	-1/2"
Blind Width	-1/2"	0"
Classic Value Valance*	-1/8"	+1"
Traditional Valance	-1/8"	+1"
Transitional Valance	-1/8"	+1"
Contemporary Valance	-1/8"	+1"

*Classic Value Valance available in Faux Wood only

Headrail and Bottom Rail Dimensions (inches)						
Operating System	Headrail		Corded Bottom Rail		Cordless Bottom Rail	
	Height	Depth	Height	Depth	Height	Depth
2" and 2 1/2" Blind	1 1/2"	2 1/4"	1 1/8"	2"	1 1/8"	2 1/4"
1" Blind	1"	1 1/2"	1 1/8"	1 1/8"	N/A	N/A

Installation Brackets		
Blind Width	End Brackets	Support Brackets*
Below 48"	2	0
48" to 84"	2	1
84" to 96"	2	2
96" to 144"	2	3

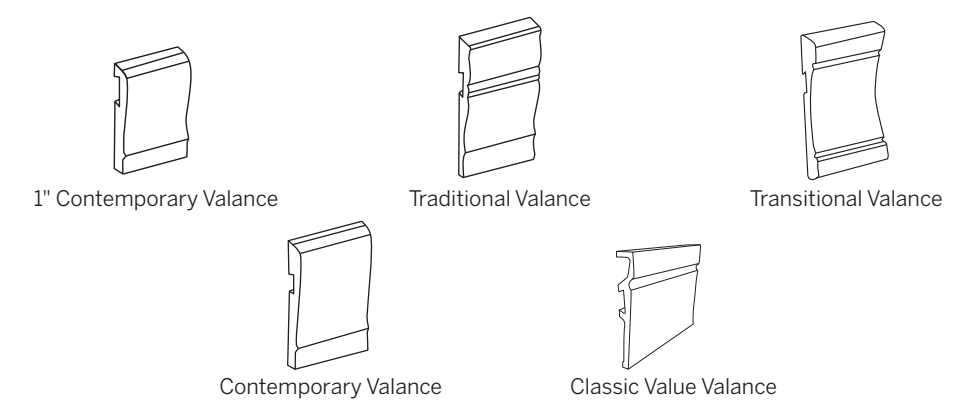
*Support brackets are evenly spaced along length of headrail



Slat Size	Mounting Depth				
	Headrail		Minimum Mounting Surface		
	Height	Depth	Headrail Protrudes (X)	Headrail Flush (Y)	Valance Flush (Z)
1" Slat	1"	1 1/2"	1/2"	1 3/4"	2 5/8"
2" Slat	1 1/2"	2 1/4"	3/4"	2 1/2"	3 1/2**
2 1/2" Slat	1 1/2"	2 1/4"	1 1/4"	3"	3 3/4†

Headrail Protrudes – clearances necessary for either side, back, or top mount
Valance Flush – for 2" and 2 1/2" corded blinds with cord tilt, deduct 1/4"
* 3 3/8" for Classic Value
† With spacer

Valance Dimensions		
Description	Height	Depth
1" Real Wood Valance	1 3/4"	3/8"
2" and 2 1/2" Traditional Valance	3"	3/8"
2" and 2 1/2" Transitional Valance	3"	1/2"
2" and 2 1/2" Contemporary Valance	3"	3/8"
2" Classic Value Valance	2 3/4"	1/2"



Standard Valance Return Dimensions — Outside Mount			
Blind Size	Cordless	Corded / No lift	
		Cord Tilt	Wand Tilt
1" Blind	N/A	N/A	2 1/2"
2" Blind	3 1/8"	2 7/8"	2 7/8"
2 1/2" Blind	3 1/2"	3 1/4"	3 1/2"

VALANCE RETURN DIMENSIONS – INSIDE MOUNT

- For inside mount installations where headrail protrudes from window casing.
- Returns may be ordered in sizes ranging from 1/2" to 6".
- Measure to the nearest 1/8" using a metal tape measure.
- If the valance is the same width as the blind, measure from the window trim to the end of the headrail.
- If the valance is wider than the blind and extends over the window trim, measure from the wall to the end of the headrail.

(If you are unable to measure for returns, LEVOLOR recommends a return size of 1/2" which will work for most situations.)

Critical Dimensions

Minimum / Maximum dimensions for Blind configurations

Single Blind Minimum and Maximum Limitations				
1" Real Wood	Minimum Width	Maximum Width	Minimum Height	Maximum Height
Corded - Same Side Lift Control	18 1/2"	96"	10"	120"
Corded - Opposite Side Lift Control	13"	96"	10"	120"
Center Tilt, No Lift Control	8 3/4"	12 3/8"	6"	120"
No Tilt or Lift Control	6"	8 3/8"	6"	120"
Cordless	N/A	N/A	N/A	N/A
Motorization	N/A	N/A	N/A	N/A
2" Real Wood	Minimum Width	Maximum Width	Minimum Height	Maximum Height
Corded - Same Side Lift Control	20 1/2"	96"	10"	120"
Corded - Opposite Side Lift Control	11 1/2"	96"	10"	120"
Corded - Opposite Side Lift Control with Tapes	13 1/4"	96"	10"	120"
Center Tilt, No Lift Control	9"	11 3/8"	8"	120"
Center Tilt, No Lift Control with Tapes	9"	13 1/8"	8"	120"
No Tilt or Lift Control	7 1/4"	8 3/8"	8"	120"
No Tilt or Lift Control with Tapes	7 1/4"	8 3/8"	8"	120"
Cordless - Standard Slat	17 1/2"	96"	10"	84"
Cordless - Privacy Slat	18 1/4"	96"	10"	84"
Motorization	18"	96"	23"	120"
2 1/2" Real Wood	Minimum Width	Maximum Width	Minimum Height	Maximum Height
Corded - Same Side Lift Control	20 1/2"	84"	10"	120"
Corded - Opposite Side Lift Control	11 1/2"	84"	10"	120"
Corded - Opposite Side Lift Control with Tapes	13 1/4"	84"	10"	120"
Center Tilt, No Lift Control	9"	11 3/8"	8"	120"
Center Tilt, No Lift Control with Tapes	9"	13 1/8"	8"	120"
No Tilt or Lift Control	7 1/4"	8 3/8"	8"	120"
No Tilt or Lift Control with Tapes	7 1/4"	8 3/8"	8"	120"
Cordless - Standard Slat	17 1/2"	84"	10"	84"
Cordless - Privacy Slat	18 1/4"	84"	10"	84"
Motorization	18"	84"	23"	120"
2" Faux Wood	Minimum Width	Maximum Width	Minimum Height	Maximum Height
Corded - Same Side Lift Control	N/A	N/A	N/A	N/A
Corded - Opposite Side Lift Control	11 1/2"	96"	10"	120"
Corded - Opposite Side Lift Control with Tapes	13 1/4"	96"	10"	120"
Center Tilt, No Lift Control	9"	11 3/8"	8"	120"
Center Tilt, No Lift Control with Tapes	9"	13 1/8"	8"	120"
No Tilt or Lift Control	7 1/4"	8 3/8"	8"	120"
No Tilt or Lift Control with Tapes	7 1/4"	8 3/8"	8"	120"
Cordless - Standard Slat	17 1/2"	96"	10"	84"
Cordless - Privacy Slat	18 1/4"	96"	10"	84"
Motorization	18"	96"	23"	120"
2 1/2" Faux Wood	Minimum Width	Maximum Width	Minimum Height	Maximum Height
Corded - Same Side Lift Control	N/A	N/A	N/A	N/A
Corded - Opposite Side Lift Control	11 1/2"	96"	10"	120"
Corded - Opposite Side Lift Control with Tapes	13 1/4"	96"	10"	120"
Center Tilt, No Lift Control	9"	11 3/8"	8"	120"
Center Tilt, No Lift Control with Tapes	9"	13 1/8"	8"	120"
No Tilt or Lift Control	7 1/4"	8 3/8"	8"	120"
No Tilt or Lift Control with Tapes	7 1/4"	8 3/8"	8"	120"
Cordless - Standard Slat	17 1/2"	96"	10"	84"
Cordless - Privacy Slat	18 1/4"	96"	10"	84"
Motorization	18"	96"	23"	120"

*See price grids for exact limitations

2-on-1 Blind Minimum and Maximum Limitations				
1" Real Wood	Minimum Width	Maximum Width	Minimum Height	Maximum Height
Corded	27"	144"	10"	120"
Cordless	N/A	N/A	N/A	N/A
Motorization	N/A	N/A	N/A	N/A
2" Real Wood	Minimum Width	Maximum Width	Minimum Height	Maximum Height
Corded	27"	144"	10"	120"
Cordless - Standard Slat	36 1/2"	144"	10"	84"
Cordless - Privacy Slat	37 1/4"	144"	10"	84"
Motorization	36 1/2"	96"	10"	120"
2 1/2" Real Wood	Minimum Width	Maximum Width	Minimum Height	Maximum Height
Corded	27"	144"	10"	120"
Cordless - Standard Slat	36 1/2"	144"	10"	84"
Cordless - Privacy Slat	37 1/4"	144"	10"	84"
Motorization	36 1/2"	96"	10"	120"
2" Faux Wood	Minimum Width	Maximum Width	Minimum Height	Maximum Height
Corded	27"	144"	10"	120"
Cordless - Standard Slat	36 1/2"	144"	10"	84"
Cordless - Privacy Slat	37 1/4"	144"	10"	84"
Motorization	36 1/2"	96"	10"	120"
2 1/2" Faux Wood	Minimum Width	Maximum Width	Minimum Height	Maximum Height
Corded	27"	144"	10"	120"
Cordless - Standard Slat	36 1/2"	144"	10"	84"
Cordless - Privacy Slat	37 1/4"	144"	10"	84"
Motorization	36 1/2"	96"	10"	120"

2-on-1 blinds with Motorization will feature a single tilt motor. Both blinds will tilt from the same motor and shaft.

3-on-1 Blind Minimum and Maximum Limitations				
1" Real Wood	Minimum Width	Maximum Width	Minimum Height	Maximum Height
Corded	N/A	N/A	N/A	N/A
Cordless	N/A	N/A	N/A	N/A
Motorization	N/A	N/A	N/A	N/A
2" Real Wood	Minimum Width	Maximum Width	Minimum Height	Maximum Height
Corded	N/A	N/A	N/A	N/A
Cordless - Standard Slat	55"	144"	10"	84"
Cordless - Privacy Slat	56 7/8"	144"	10"	84"
Motorization	N/A	N/A	N/A	N/A
2 1/2" Real Wood	Minimum Width	Maximum Width	Minimum Height	Maximum Height
Corded	N/A	N/A	N/A	N/A
Cordless - Standard Slat	55"	144"	10"	84"
Cordless - Privacy Slat	56 7/8"	144"	10"	84"
Motorization	N/A	N/A	N/A	N/A
2" Faux Wood	Minimum Width	Maximum Width	Minimum Height	Maximum Height
Corded	N/A	N/A	N/A	N/A
Cordless - Standard Slat	55"	144"	10"	84"
Cordless - Privacy Slat	56 7/8"	144"	10"	84"
Motorization	N/A	N/A	N/A	N/A
2 1/2" Faux Wood	Minimum Width	Maximum Width	Minimum Height	Maximum Height
Corded	N/A	N/A	N/A	N/A
Cordless - Standard Slat	55"	144"	10"	84"
Cordless - Privacy Slat	56 7/8"	144"	10"	84"
Motorization	N/A	N/A	N/A	N/A

Note: Maximum height for blinds 132"-144" wide is 108"

All 3-on-1 blinds must be Cordless.
All 2-on-1 and 3-on-1 Minimum widths are Inside Mount measurements.

Motorized Maximum Square Feet	
2" Real Wood	50 square feet
2 1/2" Real Wood	45 square feet
2" Faux Wood	45 square feet
2 1/2" Faux Wood	36 square feet

For additional product information visit LEVOLOR.com/woodblinds

*See price grids for exact limitations

REAL AND FAUX WOOD PRODUCT DETAILS AND FINISH INDEX

REAL WOOD PRODUCT DETAILS

- Premium hardwood delivers a beautiful finish and exceptional light control.
- Rich, natural wood enhances your style while protecting flooring and furniture from fading.
- Available in 1", 2", and 2 1/2" slats.
- The natural characteristics of wood provide for uniquely beautiful blinds.
- Variations in color and grain are inherent to real wood, thus slats may be slightly darker or lighter than shown in the sample books.
- Variations in color in no way compromise the quality of the blinds.

Real Wood Finish Index			
Finish Name	1" Real Wood	2" Real Wood	2 1/2" Real Wood
Almost White	11002321	12002321	12502321
American Walnut	N/A	120DS005	N/A
Brandy	11081338	12081338	12581338
Bright White*	N/A	120WH056	N/A
Chalk Gray	N/A	120GY048	N/A
Chenille	N/A	12078027	N/A
Cherry	N/A	120MS001	N/A
Chestnut	11002777	12002777	12502777
Cinnamon	11081341	12081341	12581341
Colonial Mahogany	110DS003	120DS003	125DS003
Colonial Pine	11078082	12078082	12578082
Dover	11081019	12081019	12581019
English Walnut	N/A	12002772	N/A
Espresso	110DS001	120DS001	125DS001
Estate Autumn	N/A	12002897	N/A
Estate Gray	N/A	120GY047	N/A
Estate Oak	N/A	12002888	N/A
French Roast	N/A	12081340	N/A
Golden Oak	11002771	12002771	12502771
Harvest Oak	N/A	120MS006	N/A
Hickory	N/A	12078097	N/A
High Gloss Golden Oak	N/A	12002352	N/A
Maple	N/A	120LS006	N/A
Matte Black	N/A	120BK009	N/A
Nordic Oak	N/A	120LS009	N/A
Reclaimed Split	N/A	120DS004	N/A
Rosewood	N/A	120RE009	N/A
Sandblasted Dover	N/A	12081089	N/A
Sandblasted Warm White	N/A	12002909	N/A
Warm Oak	N/A	120MS008	N/A
Warm White	11002908	12002908	12502908

* Finish recommended for consumers looking to match the color of their blinds to white window trim. This tone of white coordinates with the most widely used contractor grade white paint.

FAUX WOOD PRODUCT DETAILS

- Our unique NuWood™ material ensures the highest quality at an incredible value.
- NuWood resists warping, cracking, and fading over the full life of the product.
- Available in 2" and 2 1/2" slats.

Faux Wood Finish Index		
Finish Name	2" Faux Wood	2 1/2" Faux Wood
Aged White	120WH055	125WH055
Almost White	12067100	12567100
Chenille	120BE014	125BE014
Cherry	120RE007	N/A
Colonial Mahogany	120RE008	N/A
Colonial Pine	12067405	N/A
Cool White	120WH051	N/A
Dover	12067160	N/A
Espresso	120DS007	125DS007
Golden Oak	12067217	12567217
Hickory	12067410	N/A
Light Gray	120GY046*	125GY046
Pecan	120BR036*	125BR036
Sandblasted Cool White	120WH052	N/A
Sandblasted Dover	12067371	N/A
Sandblasted Warm White	12067265	N/A
Sandblasted White ¹	120WH054*	125WH054
Summer Wheat	120YW007	N/A
Walnut	120BR035*	125BR035
Warm White	12067130*	N/A
White ¹	120WH053*	125WH053

*Color available in 2" Classic Value Faux Wood

¹ Finish recommended for consumers looking to match the color of their blinds to white window trim. This tone of white coordinates with the most widely used contractor grade white paint.

LEVOLOR Customer Service — 800-538-6567

OPTIONS AVAILABILITY

Available Options						
S = Standard Option O = Free Option U = Upgrade N/A = Not Available						
Category	1" Real Wood	2" Real Wood	2 1/2" Real Wood	2" Faux Wood	2 1/2" Faux Wood	2" Classic Value Faux Wood
Cordless	N/A	U	U	U	U	U
Motorization	N/A	U	U	U	U	N/A
Privacy Route	N/A	U	U	U	U	U
Wand Tilt	S	S	S	S	S	S
Cord Tilt	N/A	O	O	O	O	O
Decorative Tapes	N/A	U	U	U	U	U
Traditional Style Package	N/A	O	O	O	O	N/A
Transitional Style Package	N/A	O	O	O	O	N/A
Contemporary Style Package	S	O	O	O	O	N/A
Classic Value Style Package	N/A	N/A	N/A	N/A	N/A	S

STANDARD AND FREE OPTIONS

CHOICE OF STYLE PACKAGE

Select from three packages that best fits the style of your room. Style packages include a decorative valance, tassels (for corded products), and/or wand handles (for wand tilt and cordless products).

Available on 2" and 2 1/2" blinds only. Not available for 1" Real Wood or Classic Value Faux Wood.

Traditional – An established look with sharp lines and fine details

Transitional – A symmetric aesthetic with clean, balanced lines

Contemporary – softened curves and sweeping lines

STANDARD STYLE PACKAGES

1" Real Wood – only available with 1 3/4" Contemporary valance, 1" bottom rail, and wand tilt.
 Classic Value Faux Wood – only available with Classic Value valance, tassels, and bottom rail.
 Wand handle not available on Classic Value.

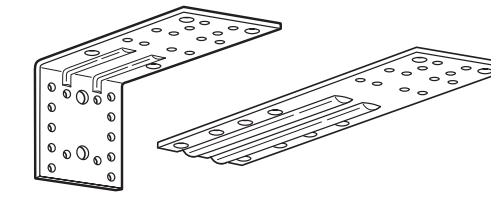
Style Packages Available by Price Group				
S = Standard Option O = Free Option N/A = Not Available				
Price Group	Traditional	Transitional	Contemporary	Classic Value
A - 2" Classic Value Faux Wood	N/A	N/A	N/A	S
B - 2" Faux Wood	O	O	O	N/A
C - 2" Faux Wood	O	O	O	N/A
D - 2 1/2" Faux Wood	O	O	O	N/A
E - 2" Real Wood	O	O	O	N/A
F - 2 1/2" Faux Wood	O	O	O	N/A
G - 1" Real Wood	N/A	N/A	S	N/A
H - 2" Real Wood	O	O	O	N/A
I - 2" Real Wood	O	O	O	N/A
J - 2 1/2" Real Wood	O	O	O	N/A

For additional product information visit LEVOLOR.com/woodblinds

OPTIONS AVAILABILITY

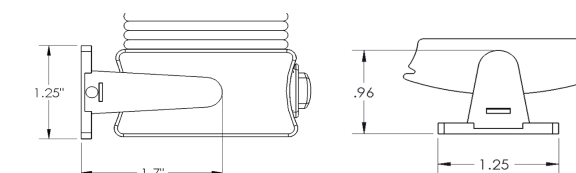
EXTENSION BRACKETS

For installation requiring additional space between the blind and the mounting surface.



HOLD-DOWN BRACKETS

Hold-down brackets prevent blinds from swaying. They can be sill mounted, face mounted, or mounted inside the frame. Recommended for French doors and windows subject to wind exposure. Must be requested at time of order.



CONTROL OPTIONS AND POSITIONING

Choice of control position is available. Tilt control left and lift control right is standard position. You may choose to reverse the standard position. Grouped controls, both tilt and lift controls on the same side, are available on Real Wood only.

WAND TILT

Wand tilt is the default tilt control and standard on 1" Real Wood and cordless blinds.

CORD TILT

Available in place of wand tilt. Operating cords will have a default length of 40% of the blind height for added child safety and to reduce the chance of accidental strangulation. Operating cords may be changed to customized length when required to ensure user accessibility. Not available on cordless.



Wand Tilt



Cord Tilt

UPGRADES

PRIVACY ROUTE

Edge route design provides tighter closure to minimize light for increased privacy and security. Slats can easily be removed for cleaning. Not available on 1" blinds or blinds with Decorative Tapes.



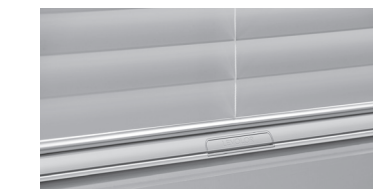
Privacy Slat



Standard Slat

CORDLESS CONTROL

The design of our cordless operating system creates a clean profile across all of your windows and makes it easy to lift and lower your blinds without dangling cords. Not available on 1" Real Wood. The functional LEVOLOR button smoothly raises and lowers your blinds when pressed and locks the blinds in position when released.

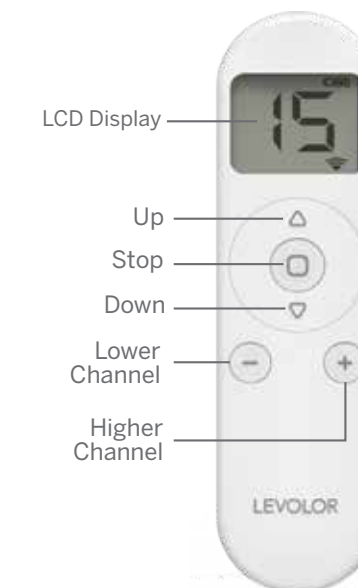


MOTORIZATION

LEVOLOR® InMotion™

Experience motorization like never before with smart home integration and automated scheduling.

- Powered by an integrated, rechargeable lithium-ion battery.
- Recharge with included magnetic micro-USB charger.
- Control shades with the 15-channel remote (sold separately).
- Add the hub (sold separately) to sync with Wi-Fi to enable app control and smart home integration. Links with Amazon Alexa, Google Home, IFTTT, Samsung SmartThings, and Siri.
- See real-time shade position and battery charge status.
- Store preset shade positions as scenes. Create routines by scheduling scenes by day of week and time of day.
- Use the app to adjust shades from anywhere.
- App available to download for iOS and Android devices.
- Not available with Classic Value Faux Wood or 1" Real Wood.



Remote
Requires 2 x AAA batteries, included.

App Requirements:
 - LEVOLOR Hub
 - 2.4 GHz Wi-Fi Network
 - Apple® iOS 10.0 or newer
 - Android™ 6.0 or newer



Hub
Requires 5V 2A adapter, included. Connect up to 30 shades per hub.



App
Phone sold separately.

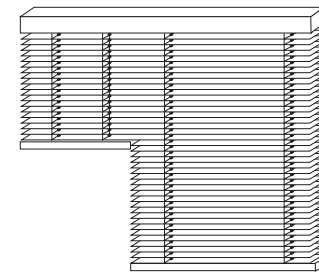
NOTE: LEVOLOR® InMotion™ is not compatible with products from the previous LEVOLOR® motorization program. This includes blinds/shades that are controlled with the previous LEVOLOR app, 3-channel remote, and 6-channel remote.

Visit LEVOLOR.com/InMotion for additional information.
 LEVOLOR Customer Service — 800-538-6567

OPTIONS AVAILABILITY

CUT OUTS

Allows access to air conditioners, window cranks, etc. Side cutouts are available. A diagram may be required. Not available with cordless control.



MULTIPLE BLINDS ON ONE HEADRAIL

Provides the flexibility of raising one blind while keeping the other lowered. Two or three blinds on one headrail are available up to a total maximum width of 144". Innerspace is 1/2" between blinds. Horizontal slat alignment not guaranteed.

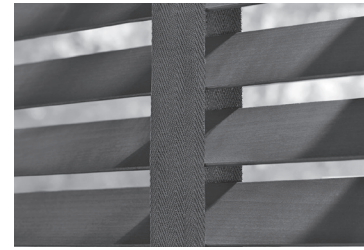


MULTIPLE BLINDS ON ONE HEADRAIL HELPFUL NOTES:

- Available up to a total maximum width of 144"
- Each blind operated independently
- There will be inner spacing between slats of individual blinds to operate independently
- Inner spacing between blinds is 1/2 in.
- Left Blind tilt controls are on the left side and Right Blind tilt controls are on the right side for 2-on-1 cordless blinds
- All 3-on-1 Blinds will be Cordless
- Always use a metal tape measure as cloth may stretch
- Take all measurements to the nearest 1/8 in. DO NOT take any deductions
- The factory will make any necessary adjustments to help ensure your blind operates smoothly
- Horizontal slat alignment is not guaranteed

REPLACEMENT VALANCE OPTION

Maximum total valance width is 144". Valances greater than 96" will be spliced.



DECORATIVE TAPES

Our decorative twill tapes are sampled in suggested pairings that coordinate with light, medium, and dark colored slats. Select from our recommendations or choose from eleven (11) solid and four (4) patterned tapes to accent your blinds and coordinate with your upholstery and textiles.

Decorative Tapes*	
Solid – 1 1/2" Wide	
Color Name	Color Number
Black	00890
Blush	WH005
Bordeaux	00755
Harvest	00301
Mink	00138
Mist	GY003
Mocha	00378
Smoked Gray	GY002
Snow	00110
Suntan	00352
Whisper	00140
Pattern – 1 1/2" Wide	
Modern Scroll Mink	BR002
Modern Scroll Sand	NU008
Nantucket Stripe Mink	01237
White Scroll	01201

* Not available on 1" Real Wood, Cordless, or Privacy Route blinds.

Cleaning and Care

Keep your LEVOLOR Real and Faux Wood blinds looking their best by periodically wiping them with a soft cloth, a duster, or the brush attachment from a vacuum cleaner.

Note: Improper cleaning may void warranty

- You can clean the blind hanging in place or you can take it down.
- By tilting the slats down, but not quite closed, you will be able to clean most of the top surface of each slat.
- **Do not use water, solvents, or abrasive solutions to clean the blind.** This will cause damage to the blind which is not covered under warranty.
- **Real Wood Blinds:** In very dusty environments, you may use a non-wax furniture polish to clean the blind.
- **Faux Wood Blinds:** You may use a soft, lightly dampened cloth to clean your NuWood blinds.
- **Blinds with Privacy Route:** Slats can be removed for cleaning. Slide out the slat, wipe clean, and return to its original position. If a light gap occurs for any reason, simply flip the slat over to cover or close the gap.

The following information, listed below, is available online at LEVOLOR.com

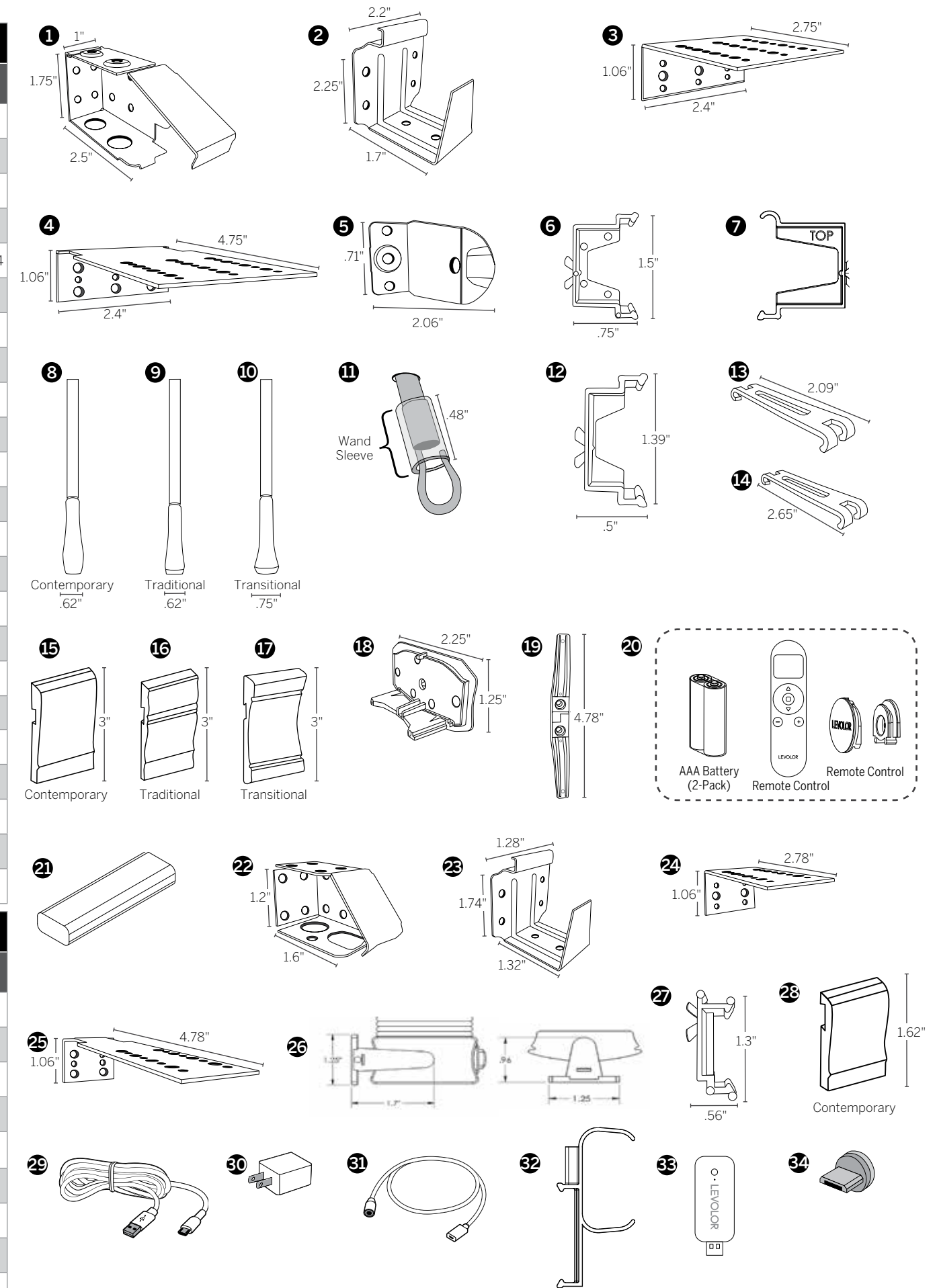
- Terms and Conditions
- Order Processing
- Freight
- Claims and Returns
- Warning and Safety Information
- Warranty

For additional product information visit LEVOLOR.com/woodblinds

PARTS AND COMPONENTS

2" and 2 1/2" Real & Faux Wood Blinds		
Part Description	Part Number	
1	Installation Brackets	Varies by Color
2	Center Support Bracket	1851792
3	Extension Bracket - 2"	L01X200000010
4	Extension Bracket - 4"	L02X400000010
5	Hold Down Brackets – 2" and 2 1/2"	DWLO1893 / HBHD0004
8, 9, 10	Wand Handle	Varies by Color
11	Wand Sleeve	K11B280000091
12	Valance Clip - Corded Tilt	HFCP0002
6	Valance Clip - Wand Tilt	1836002
7	Valance Clip - Motorized	1032944
13	2" Slat Clip	W22T0000
14	2 1/2" Slat Clip - Top / Bottom	W14S2500 / 1006500
15, 16, 17	Valance Returns	Varies by Color
18	Cordless Bottom Rail End Cap	Varies by Color
19	Cord Cleat	1921947 / 1921948
20	Remote Control Kit (optional)	1029591
21	Motorized Battery Pack	62203400
29	10' Micro-USB Charging Cable	62206300
30	Power Adapter	62200000
31	1' Magnetic Charging Adapter	62206100
32	Battery Clip – Motorized	1032943
33	Hub (optional)	1029593
34	Magnetic Insert	62206200

1" Real Wood Blinds		
Part Description	Part Number	
22	Installation Brackets	Varies by Color
23	Center Support Bracket	DJL0606600050
24	Extension Bracket - 2"	K01X200000010
25	Extension Bracket - 4"	K02X400000010
26	Cordless / Corded Hold Down Brackets	1006501 / KIT2009
8	Wand Handle	Varies by Color
11	Wand Sleeve	K11B280000091
27	Valance Clip	1870058
28	Valance Returns	Varies by Color



LEVOLOR Customer Service — 800-538-6567

© 2019 LEVOLOR®, Inc.