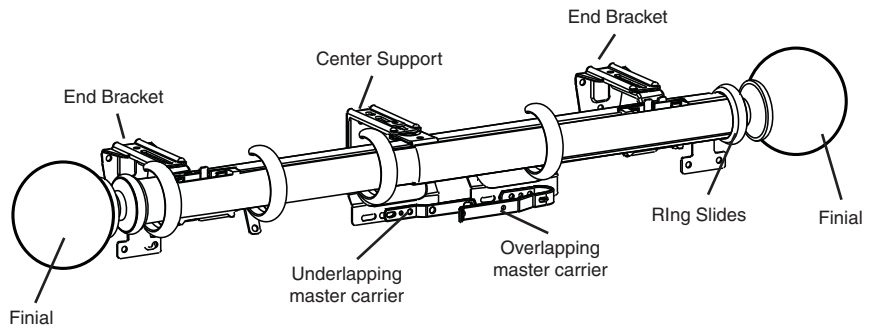
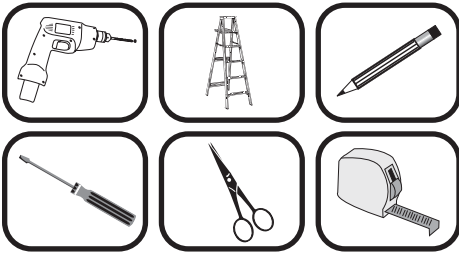
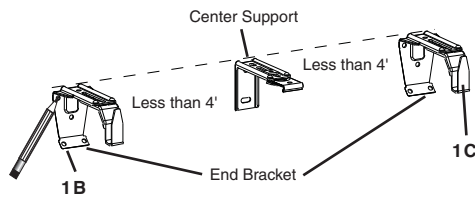
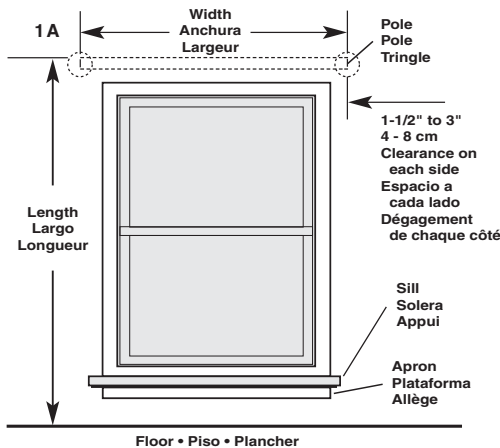


Tools Needed



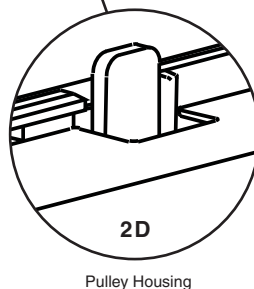
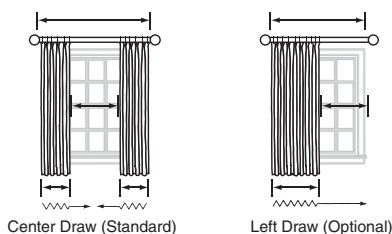
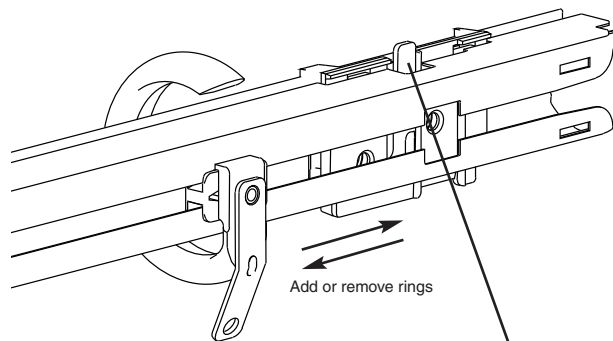
STEP 1



Step 1: Measuring and Bracket Installation

- Determine the placement of the pole according to the diagram labeled 1A.
- For length, measure from the bottom hole of the end brackets to determine the correct length that coordinates with your drapery treatment (1B).
- Take into consideration that the end bracket prongs will need to be placed in the openings provided which are located 2" from the end of each side of the pole (1C).
- Use a pencil to mark the end bracket placement according to your length and width measurements.
- Mark the center support brackets (provided) level with the end brackets with less than 4' between each of the brackets. The center support brackets are provided.
- Mount the brackets (as shown in the diagram). A 3/32" drill bit should be used if pilot holes are needed. The bottom holes of the bracket are used for drapery pin placement for the drapery returns.

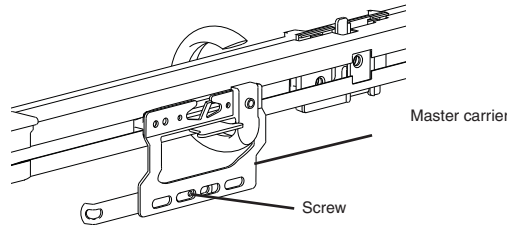
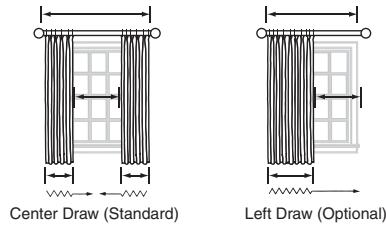
STEP 2



Step 2: Positioning the Ring Slides

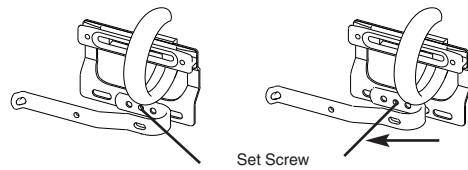
- For a center draw (see diagram), the number of slides required should equal the number of pleats in each drapery panel minus 2.
- For a one-way draw (see diagram), the number of slides required should equal the number of pleats in each drapery panel minus one.
- Count the number of ring slides.
- Add or remove the ring slides by pressing down on the pulley housing located on each side of the pole (as shown in the diagram 2D) slide the rings over the housing and off of the pole. For a center draw, remove an equal amount of rings from each side of the pole.

STEP
3



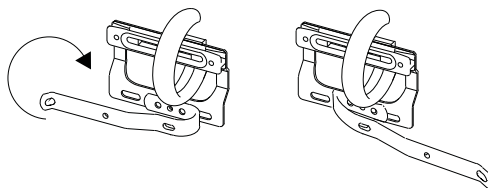
3-1

Right 1-Way Draw



3-2

Left 1-Way Draw



Step 3: Converting the Pole to a One-Way Draw (Optional)

This step is optional

- Determine which side of the pole you would like the draperies to draw to.
- Lay the pole on the floor with the open side of the pole facing up.
- Pull the two poles apart – no more than 6".
- Remove the underlap master carrier (demonstrated in the diagram) which is the carrier with no knots in the cord.

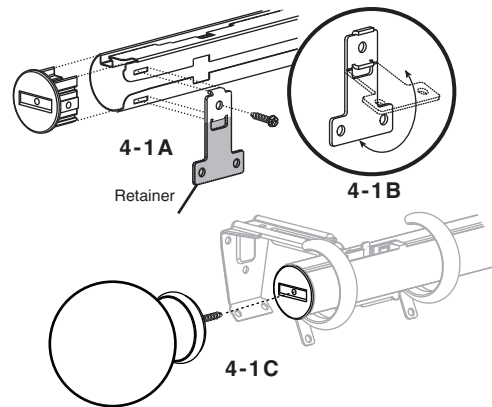
3-1 Right 1-Way Draw

- Count the ring slides and remove any extras (according to step 2).
- Move the master carrier one hole to the left by removing the screw located in the arm of the master carrier.
- Move all of the ring slides to the side of the pole where the cord is located

3-2 Left 1-Way Draw

- Remove all of the ring slides on the left hand side of the pole.
- Count the number of ring slides (according to step 2) and add the correct amount of ring slides to the right side of the pole.
- Loosen the set screw of the master carrier arm and rotate the opposite direction.
- Re-attach the master arm one hole position to the right and put the pole back together.

STEP
4

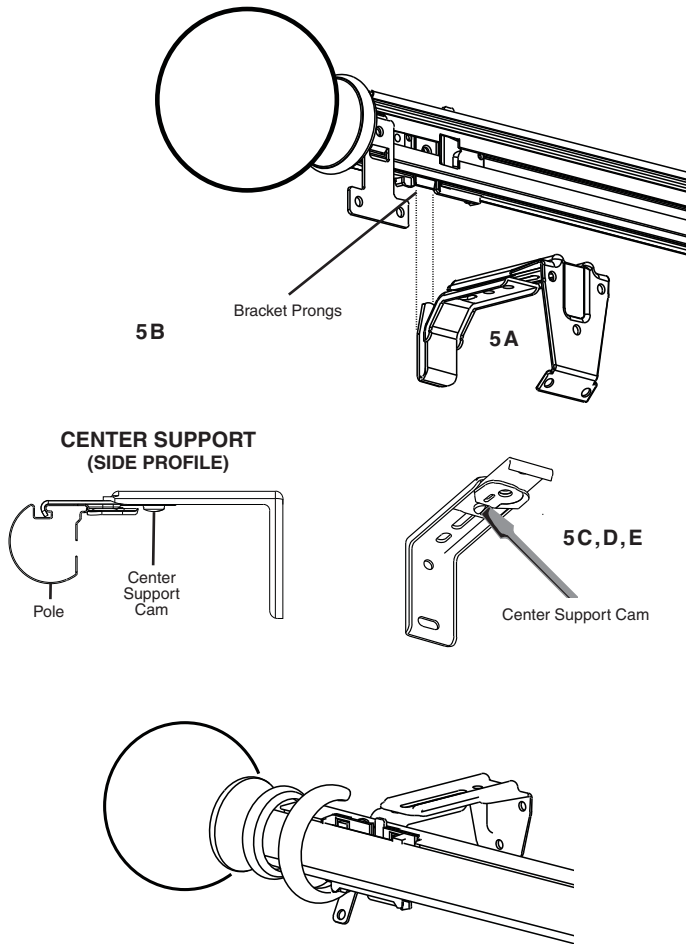


4-1

Step 4: Attach Finial

- Insert the plug into the rod, position the retainer, secure with screw.
- The retainers are to be installed at the end of the rod to clasp the pole together and secure the end plugs. An optional tab is provided on the retainer for traversing rods to place the last pin of a drapery treatment and hold the return in place when traversing. If this tab is not needed (on the leading edge of the left or right draws or for stationary drapery treatments), you can break off the tab using pliers.
- Screw the finial into the plug (4-1C).

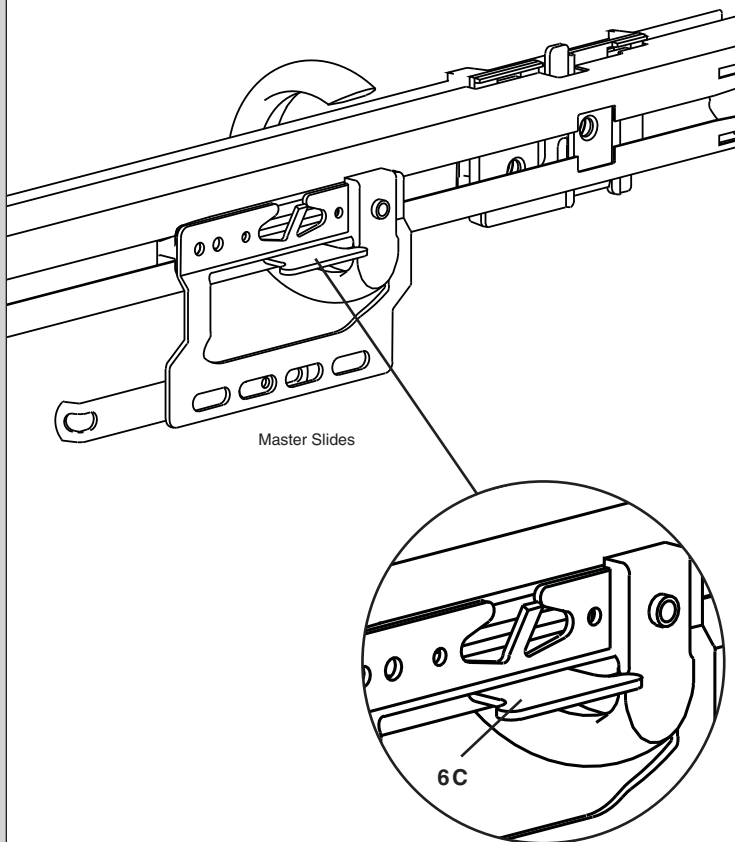
STEP 5



Step 5: Mounting the Pole

- Make sure the brackets arms are loose before placing the pole onto the brackets to adjust the projection when mounted. For the center support brackets, the arm can be moved to the side to install the pole into the end brackets (5A)
- Extend the pole to place the opening on each side of the pole onto the end bracket prongs and place one ring slide on the outside of each bracket (5B).
- Lock the center support arm on top of the pole by engaging the cam with a screwdriver (5C).
- If the center support is located on the smaller size pole, then turn the cam to the right (5D).
- If the center support is located on the larger size pole, then turn the cam to the left (5E).

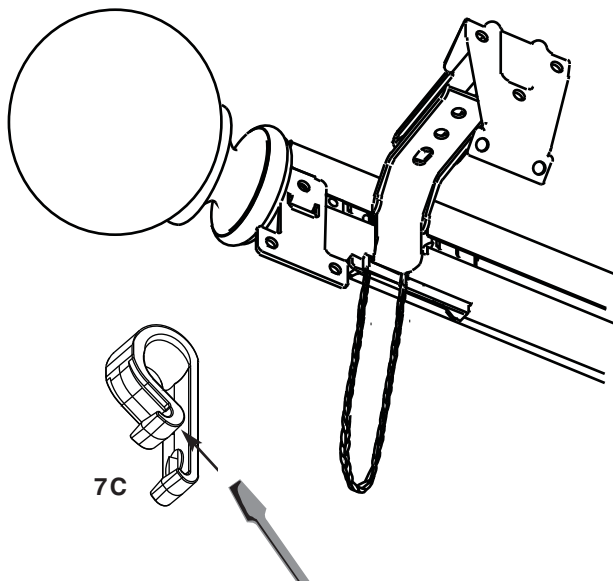
STEP 6



Step 6: Centering the Master Slides – Center Draw

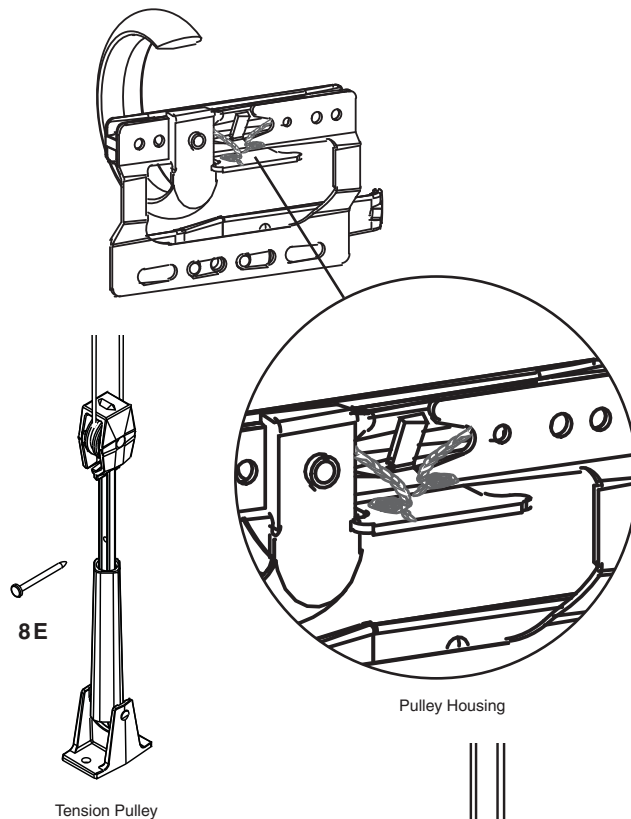
- Use the cord to draw the master carriers to each end of the pole.
- Locate the carrier that draws to the opposite side of the pole away from where the cord is located.
- Hold the cord tight, and slip the cord under the t-shaped hook located on the underlap master carrier (this will be the carrier with no knots in the cord) (6C).
- Pull the cord to make sure the master carriers return to the center of the pole.

STEP 7



- Step 7: Reversing the Pull Cord Direction (Optional)**
- A. This step is only necessary if you want to move the pull cord to the opposite side of the pole.
 - B. Skip to the next step, if this is not necessary.
 - C. If using the pull tension device, take off the cord retainer by breaking the plastic piece with a screwdriver (7C).
 - D. Remove the warning tags.
 - E. Pull the cord from the left hand side of the pulley housing all the way through.
 - F. Re-center the pole if necessary, as described in Step 6.

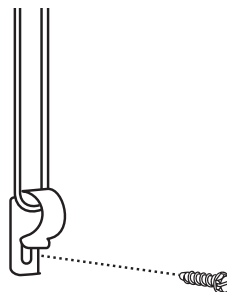
STEP 8



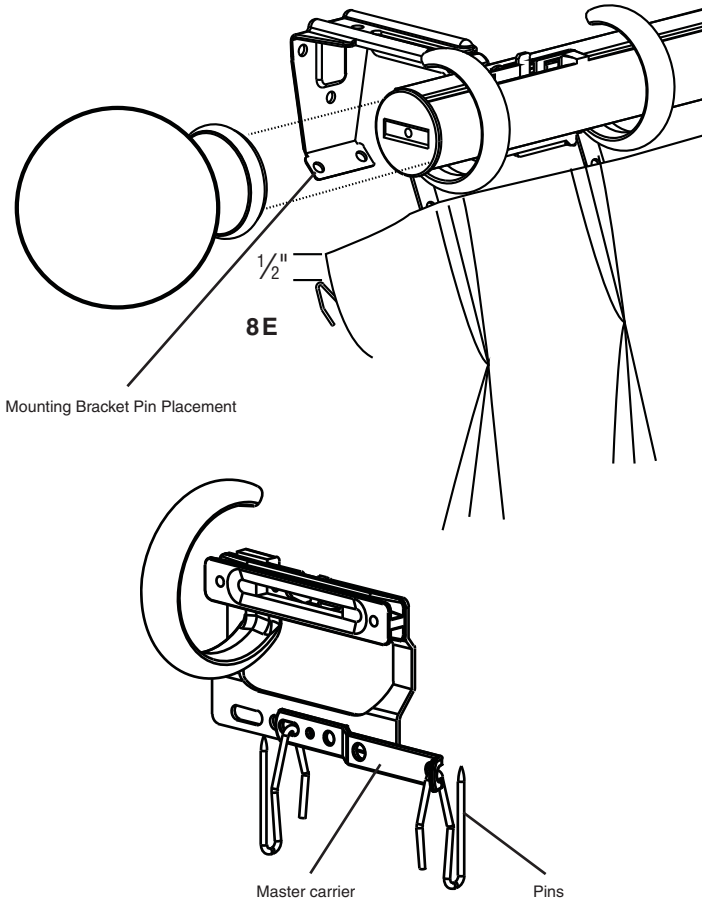
- Step 8**
- 8-1 Mounting the Cord Tension Pulley**
- A. The screws are included in the bracket mounting packet. Use a 1/16" drill bit for pilot holes if necessary.
 - B. Remove the cord guide if using the cord tension device.
 - C. Take off the cord by breaking the plastic piece with a screwdriver (See diagram in step 7) and remove warning tags.
 - D. Mount the pulley in the wall, floor, or window sill and pull the cord through the yoke.
 - E. Insert pin or nail (not provided) in the extended pulley (8E).
 - F. Pull the knot tight (in the overlap master carrier if the pole is a center draw or in the master carrier if the pole is a 1-way draw).
 - G. Near the master carrier, double-knot the pulled cord – **Do Not Cut Cord** – Traverse the pole.
 - H. Adjust if necessary, cut excess cord, and remove pin from pulley.

OR

- 8-2 Attach the Cord Guide**
- Extend the cord fully downward and secure the guide to the wall or window frame with one of the included screws. The guide should be positioned so that the cord is fully extended without pulling on the drapery rod. Note: Safety Warnings included.



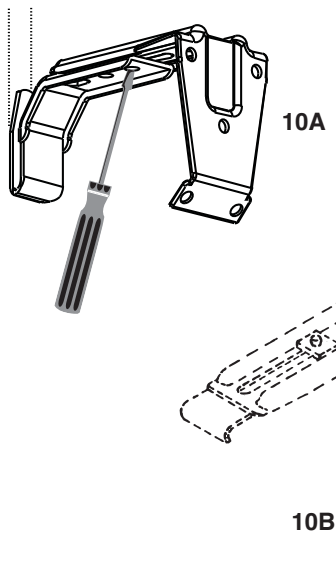
STEP 9



Step 9: Hanging the Draperies

- Pins must already be placed in drapery approximately 1/2" from the top of the drapery treatment (9A).
- Start at the master slides, located in the center of the pole, by placing 2 pins in each of the master carriers.
- Insert the first pin through the back of the overlap master carrier.
- Place 1 pin in each side.
- Place the next to last pin in your drapery in the ring on the opposite side of the bracket.
- Place the last pin in the mounted end bracket.

STEP 10



Step 10: Final Adjustments

- Tighten the arms to each bracket, at the desired projection, starting with the center support bracket moving out to the end brackets.
- Support covers are provided as an option to conceal the support base. These snap into place and may be painted or wallpapered to match the wall.



DANGER
STRANGULATION
HAZARD



Keep cords out of the reach of children.



Move cribs and furniture away from cords.



Remove objects below windows. Loops will appear when shade is in raised position.



Do not tie cords together



Install a cord tension pulley or cord cleat



EMERGENCY FIRST AID FOR STRANGULATION

- Remove cord from child's neck
- Call 911 or Emergency Center
- Clear throat
- Check breathing and heart beat
- Begin CPR